

QUARTZ CRYSTAL OSCILLATOR

GENERAL DESCRIPTION

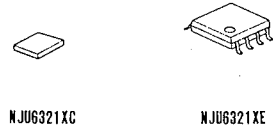
The NJU6321 series is a C-MOS quartz crystal oscillator which consists of an oscillation amplifier, 3-stage divider, output frequency selector and 3-state output buffer.

The oscillation frequency is as wide as up to 50MHz and the symmetry of 45-55% is realized over full oscillation frequency range.

The oscillation amplifier incorporates feed-back resistance and oscillation capacitors (Cg, Cd), therefore, it requires no external component except quartz crystal.

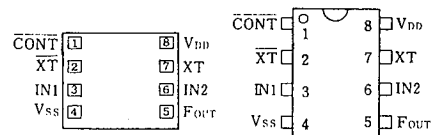
The 3-stage divider outputs f_0 , $f_0/2$, $f_0/4$ and $f_0/8$ to the output frequency selector and it determined one output frequency according to the combination of two input-signal.

The 3-state output buffer is C-MOS compatible and capable of 10 LSTTL driving.

PACKAGE OUTLINE


NJU6321XC

NJU6321XE

PIN CONFIGURATION/PAD LOCATION

FEATURES

- Operating Voltage -- 3.0~6.0V
- Maximum Oscillation Frequency -- 50MHz
- Low Operating Current
- High Fan-out -- LSTTL 10
- 3-state Output Buffer
- Selected Frequency Output (mask option)
 - Only one frequency out of f_0 , $f_0/2$, $f_0/4$ and $f_0/8$ output
- Oscillation Capacitors Cg and Cd on-chip
- Oscillation and/or Output Stand-by Function
- Package Outline -- CHIP/EMP 8
- C-MOS Technology

COORDINATES

 Unit: μm

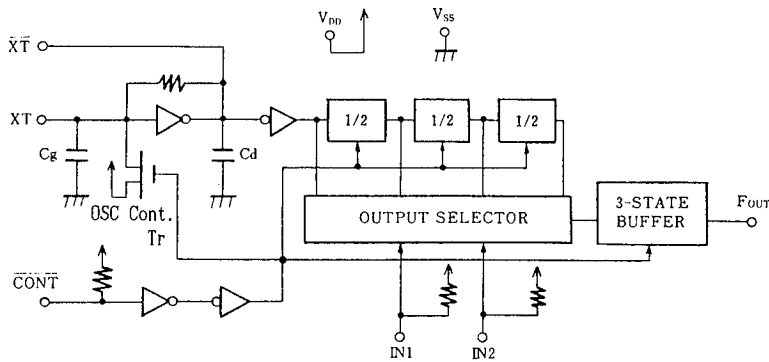
No.	PAD	X	Y
1	CONT	165	651
2	XT	165	484
3	IN1	165	317
4	VSS	165	149
5	FOUT	1113	149
6	IN2	1113	317
7	XT	1113	484
8	VDD	1113	651

Chip Size : 1.28 X 0.8mm
 Chip Thickness : 400 μm \pm 30 μm

LINE-UP TABLE

Type No.	Cg	Cd	Osc. Stop (Tr)
NJU6321A	21pF	23pF	Yes
NJU6321P	NO	NO	NO

■ BLOCK DIAGRAM



(Note) Oscillation Stop Function is available only for NJU6321A.
 NJU6321P has only output stand-by function.

■ TERMINAL DESCRIPTION

NO.	SYMBOL	F U N C T I O N															
1	$\overline{\text{CONT}}$	Oscillation Stop Control and Divider Reset															
		<table border="1"> <thead> <tr> <th>$\overline{\text{CONT}}$</th> <th>F_{OUT}</th> </tr> </thead> <tbody> <tr> <td>H</td> <td>Output either one frequency from f_0, $f_0/2$, $f_0/4$, and $f_0/8$</td> </tr> <tr> <td>L</td> <td>Output High Impedance and Divider Reset In the NJU6321A also oscillation stop</td> </tr> </tbody> </table>	$\overline{\text{CONT}}$	F_{OUT}	H	Output either one frequency from f_0 , $f_0/2$, $f_0/4$, and $f_0/8$	L	Output High Impedance and Divider Reset In the NJU6321A also oscillation stop									
		$\overline{\text{CONT}}$	F_{OUT}														
H	Output either one frequency from f_0 , $f_0/2$, $f_0/4$, and $f_0/8$																
L	Output High Impedance and Divider Reset In the NJU6321A also oscillation stop																
2 7	$\overline{\text{XT}}$ XT	Quartz Crystal Connecting Terminals															
8	V_{DD}	+ 5V															
3 6	IN1 IN2	3-State Divider Outputs selected by IN1 and IN2 <table border="1"> <thead> <tr> <th>IN1</th> <th>IN2</th> <th>F_{OUT}</th> </tr> </thead> <tbody> <tr> <td>H</td> <td>H</td> <td>f_0</td> </tr> <tr> <td>L</td> <td>H</td> <td>$f_0/2$</td> </tr> <tr> <td>H</td> <td>L</td> <td>$f_0/4$</td> </tr> <tr> <td>L</td> <td>L</td> <td>$f_0/8$</td> </tr> </tbody> </table>	IN1	IN2	F_{OUT}	H	H	f_0	L	H	$f_0/2$	H	L	$f_0/4$	L	L	$f_0/8$
IN1	IN2	F_{OUT}															
H	H	f_0															
L	H	$f_0/2$															
H	L	$f_0/4$															
L	L	$f_0/8$															
5	F_{OUT}	Output either one frequency from f_0 , $f_0/2$, $f_0/4$, and $f_0/8$															
4	V_{SS}	GND															

■ ABSOLUTE MAXIMUM RATINGS

(Ta=25°C)

PARAMETER	SYMBOL	RATINGS	UNIT
Supply Voltage	V _{DD}	-0.5 ~ +7.0	V
Input Voltage	V _{IN}	-0.5 ~ V _{DD} +0.5	V
Output Voltage	V _O	-0.5 ~ V _{DD} +0.5	V
Input Current	I _{IN}	±10	mA
Output Current	I _O	±25	mA
Power Dissipation (EMP)	P _D	200	mW
Operating Temperature Range	Topr	-40 ~ + 85	°C
Storage Temperature Range	Tstg	-65 ~ +150	°C

Note) Decoupling capacitor should be connected between V_{DD} and V_{SS} due to the stabilized operation for the circuit.

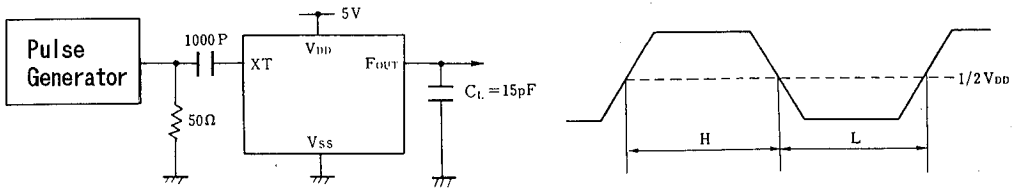
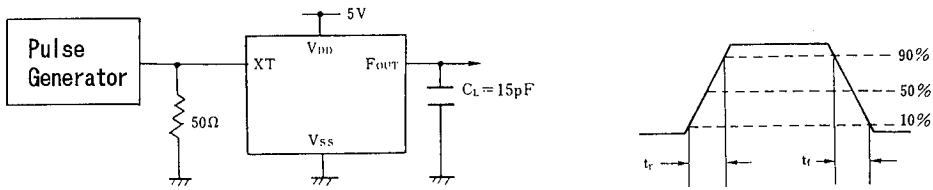
■ ELECTRICAL CHARACTERISTICS

 (Ta=25°C, V_{DD}=5V)

PARAMETER	SYMBOL	CONDITIONS	MIN	TYP	MAX	UNIT
Operating Voltage	V _{DD}		3		6	V
Operating Current	I _{DD}	fosc=16MHz, No load			10	mA
Stand-by Current	I _{st}	CONT, XT=V _{SS} , No load (Note)			1	μA
Input Voltage	V _{IH}		3.5		5.0	V
	V _{IL}		0		1.5	
Output Current	I _{OH}	V _{DD} =5V, V _{OH} =4.5V	4			mA
	I _{OL}	V _{DD} =5V, V _{OL} =0.5V	4			
Input Current	I _{IN}	CONT, IN1, IN2 Terminals CONT, IN1, IN2=V _{SS}			400	μA
Internal Capacitor	C _g	A Version		21		pF
	C _d	A Version		23		
	C _g , C _d	P Version		-		
Max. Oscillation Freq.	f _{MAX}	V _{DD} =5V, C _L =15pF	50			MHz
Output Signal Symmetry	SYM	V _{DD} =5V, C _L =15pF at 1/2V _{DD}	45	50	55	%
Output Signal Rise Time	t _r	V _{DD} =5V, C _L =15pF, 10% - 90%			8	ns
Output Signal Fall Time	t _f	V _{DD} =5V, C _L =15pF, 90% - 10%			8	ns

Note) Excluding input current on CONT terminal.

■ MEASUREMENT CIRCUITS

 (1) Output Signal Symmetry ($C_L=15\text{pF}$)

 (2) Output Signal Rise/Fall Time ($C_L=15\text{pF}$)


NJU6321 Series

MEMO

[CAUTION]

The specifications on this databook are only given for information, without any guarantee as regards either mistakes or omissions. The application circuits in this databook are described only to show representative usages of the product and not intended for the guarantee or permission of any right including the industrial rights.