

## Features

- Low noise termination for CMOS
- Combined resistors and capacitors in SIP package saves space
- Reduced insertion time
- Insulation resistance testing for reliability
- Pin counts from 4 to 16 available

For information on RC Terminators, download Bourns' [RC Terminator Networks Application Note](#).

# 700 Series - RC Terminator Networks

### Electrical Characteristics - Resistors

Standard Resistance Range .....22 ohms to 500K ohms  
 Resistance Tolerance  $\pm 5\%$  .....50 ohms to 1 megohm  
 Operating Voltage .....50 volts maximum

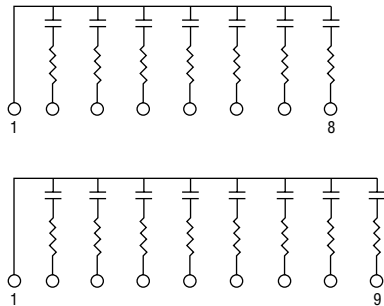
### Electrical Characteristics - Capacitors

Capacitance Range .....39 pF to 47,000 pF  
 Capacitance Range .....470 pF to 47,000 pF X7R  
 Capacitance Range .....39pF to 470pF NPO  
 Capacitance Tolerance ..... $\pm 20\%$   
 Operating Temperature.....-30°C to +85°C  
 Voltage Rating.....50 volts

### Physical Characteristics

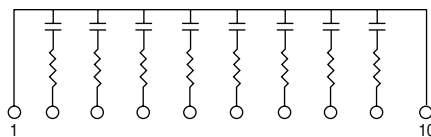
Flammability .....Conforms to UL 94 V-0  
 Lead Frame Material.....Copper, solder coated  
 Body Material .....Conformal coat

For Standard Values Used in Capacitors, Inductors, and Resistors, [click here](#).



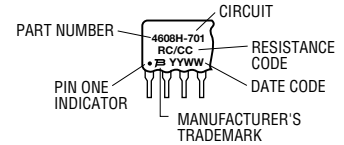
NO. OF LINES	BOURNS P/N	PACKAGE
7	4608H-701-RC/CC	High Profile Conformal SIP
8	4609H-701-RC/CC	
9	4610H-701-RC/CC	

### 702

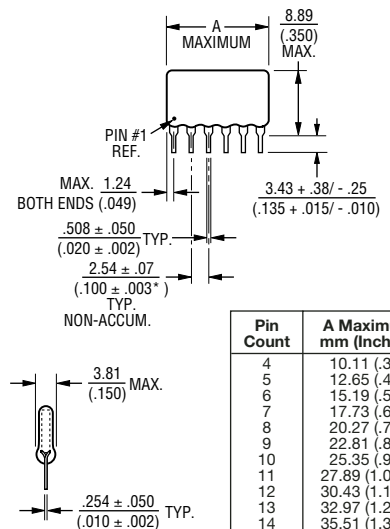


NO. OF LINES	BOURNS P/N	PACKAGE
8	4610H-702-RC/CC	High Profile Conformal SIP

### Typical Part Marking



### Product Dimensions



Pin Count	A Maximum mm (Inches)
4	10.11 (.398)
5	12.65 (.498)
6	15.19 (.598)
7	17.73 (.698)
8	20.27 (.798)
9	22.81 (.898)
10	25.35 (.998)
11	27.89 (1.098)
12	30.43 (1.198)
13	32.97 (1.298)
14	35.51 (1.398)
15	38.04 (1.498)
16	40.59 (1.598)

Governing dimensions are metric. Dimensions in parentheses are inches and are approximate.

\*Terminal centerline to centerline measurements made at point of emergence of the lead from the body.

## Additional Features

- Prevent bus lines and control signals from floating to undefined logic levels.
- Optimize signal transmission in high performance systems through proper termination.
- Eliminate overshoot and ringing, increase noise immunity, minimize signal distortion, and lower EMI/RFI radiation.
- Minimize space and routing problems, and reduce manufacturing cost per installed resistive function.
- Increase board yields and reliability by reducing component count.

# 700 Series - Resistor Networks RC Terminator Networks **BOURNS®**

### Standard Resistance Values And Codes

Resistance (Ohms)	Resistance Code	Resistance (Ohms)	Resistance Code
22	220	5,600	562
27	270	6,800	682
33	330	8,200	822
39	390	10,000	103
47	470	12,000	123
56	560	15,000	153
68	680	18,000	183
82	820	20,000	203
100	101	22,000	223
120	121	27,000	273
150	151	33,000	333
180	181	39,000	393
220	221	47,000	473
270	271	56,000	563
330	331	68,000	683
390	391	82,000	823
470	471	100,000	104
560	561	120,000	124
680	681	150,000	154
820	821	180,000	184
1,000	102	220,000	224
1,200	122	270,000	274
1,500	152	330,000	334
1,800	182	390,000	394
2,000	202	470,000	474
2,200	222		
2,700	272		
3,300	332		
3,900	392		

Values not appearing in above tables are available to optimize system performance. Contact Bourns Networks to inquire.

### Standard Capacitance Values And Codes

Capacitance	Capacitance Code	Capacitance	Capacitance Code
39pF	390	1000pF	102
47	470	1200	122
56	560	1500	152
68	680	1800	182
82	820	2200	222
100	101	2700	272
120	121	3300	332
150	151	3900	392
180	181	4700	472
220	221	5600	562
270	271	6800	682
330	331	8200	822
390	391	.010µF	103
470	471	.012	123
560	561	.015	153
680	681	.018	183
820	821	.022	223
		.027	273
		.033	333
		.039	393
		.047	473

### How To Order RC Terminator Networks

